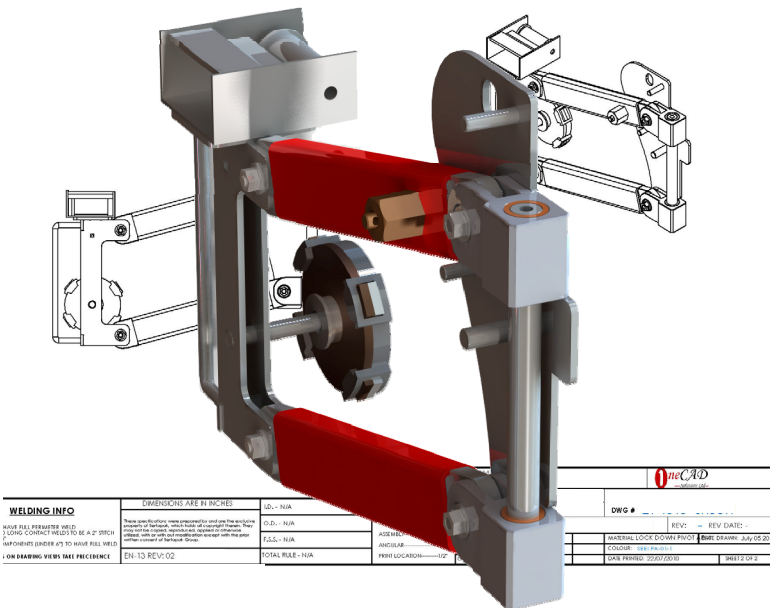


OneCAD

—Solutions Ltd—

Mechanical Engineering Contract Design Services



OneCAD Solutions provides mechanical engineering contract design services, 3D CAD & 2D drafting, engineering analysis and reverse engineering.

OneCAD will work on your design projects when overtime won't keep you on schedule and hiring your next designer or engineer can't be justified. We help so that you don't have to turn work away or push out your deadlines.

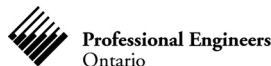
OneCAD can also expand your capabilities so that you can handle larger projects and get more work done faster without additional costs and overheads.

OneCAD Solutions is authorized by the Association of Professional Engineers of Ontario to offer professional engineering services.

OneCAD Solutions - Ready when you need us.

Call now to learn more!

(905) 943-7667



OneCAD Keywords

- Design
- Mechanical Engineering
- FEA Services
- Overflow Work
- 3D Modeling
- Detail Drafting
- 2D to 3D
- Reverse Engineering
- 3D Movies & Images
- Multi-CAD
- Competitive Rates
- On Time • On Spec • On Budget**

For more information please contact:

Email: info@onecad.com

Telephone: (905) 943-7667

Fax: (905) 943-7411

Website: www.onecad.com

Address: Suite 202
325 Renfrew Drive,
Markham, ON
L3R 9S8